

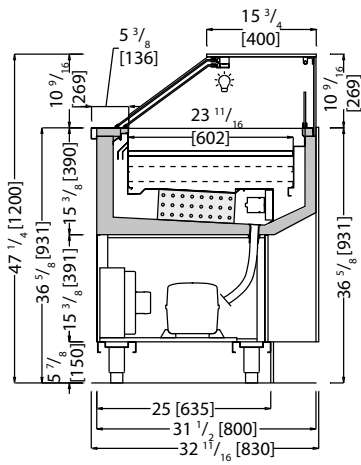
Ventilated Refrigerated Showcase.

Glass structure with mechanical fastening | heated glass sides | bright aluminum LED light fixture | PETG easy sliding doors system | anti-fog air baffle | tank insulated with ecological polyurethane and covered with stainless steel | ventilated refrigeration with capillary system (thermostatic valve for external motor) | electronic control unit and digital temperature reader flush with the surface | display trays and perimetric shelf in polished steel | worktop in polished steel | supporting frame in galvanized steel with height-adjustable stainless steel feet | technical compartment and open compartment in polished stainless steel



39.2°F / 42.8°F





Technical



- Ventilated
- R452A / R290 ECO Friendly
- Hermetic
- Led no-spot 3000°K
- Automatic
- N. 4 / RH 55% max 75°F
- 120 V / 1 Ph / 60 Hz
- 39.2/42.8°F

Data Sheet *Measurements are subject to revisions/updates, please refer to manufacturer's drawings at order confirmation *Crate weight only

Model Code	Dimensions L x D x H Inches	Weight Lbs	Max Pwr. Consumption W / A	Avg Operating Consumption KW/h	Cooling Power/Expansion BTU / °F	GAS Type
F83R412RV090I (+PANELS)	35 7/16 x 32 11/16 x 47 1/4 42 1/2 x 39 3/4 x 58 11/16	254 176	565 / 3.5	0.3	1399 / 14	R290
F83R412RV100I (+PANELS)	39 3/8 x 32 11/16 x 47 1/4 46 7/16 x 39 3/4 x 58 11/16	254 198	565 / 3.5	0.3	1399 / 14	R290
F83R412RV130I (+PANELS)	51 3/16 x 32 11/16 x 47 1/4 58 1/4 x 39 3/4 x 58 11/16	331 243	700 / 4.0	0.35	1877 / 14	R290
F83R412RV150I (+PANELS)	59 1/16 x 32 11/16 x 47 1/4 66 1/8 x 39 3/4 x 58 11/16	331 287	700 / 4.0	0.35	1877 / 14	R290
F83R412RV170I (+PANELS)	66 15/16 x 32 11/16 x 47 1/4 74 x 39 3/4 x 58 11/16	397 331	885 / 4.5	0.45	2252 / 14	R290
F83R412RV200I (+PANELS)	78 3/4 x 32 11/16 x 47 1/4 85 13/16 x 39 3/4 x 58 11/16	419 375	910 / 4.5	0.55	2627 / 14	R290
F83R412RV210I (+PANELS)	82 11/16 x 32 11/16 x 47 1/4 89 3/4 x 39 3/4 x 58 11/16	419 386	910 / 4.5	0.55	2627 / 14	R290
F83R412RV AP90QI (+PANELS)	44 11/16*44 11/16 x 32 11/16 x 47 1/4 51 15/16 x 51 15/16 x 58 11/16	441 287	1150 / 5.9	0.7	2900 / 14	R452A
F83TS12RV AP90FI* (+PANELS)	R55 3/8 x 32 11/16 x 47 1/4 62 3/16 x 39 3/4 x 58 11/16	287 265	900 / 4.0	0.5	2559 / 14	R452A

Optionals:

CIV65-68 Stationary shelf option	CIV96 LED lighting for shelf	VRG01 Heated front	SCORTF01-03 L-shaped doors	CIV72 Chocolate	SRVASS01 Lift-up	CIT16 Condensation water pan	CIM08 Kit wheels	SAN01 Whide system
-------------------------------------	---------------------------------	-----------------------	-------------------------------	--------------------	---------------------	---------------------------------	---------------------	-----------------------