


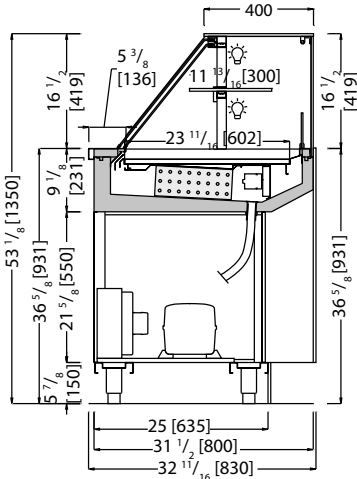


Ventilated Refrigerated Showcase.

Glass structure with mechanical fastening | heated glass sides | bright aluminum LED light fixture | adjustable intermediate glass shelf on low-voltage bright aluminum electrified rack | PETG easy sliding doors system | anti-fog air baffle | tank insulated with ecological polyurethane and covered with stainless steel | ventilated refrigeration with capillary system (thermostatic valve for external motor) | electronic control unit and digital temperature reader flush with the surface | display trays and perimetric shelf in polished steel | worktop in polished steel | supporting frame in galvanized steel with height-adjustable stainless steel feet | technical compartment and open compartment in polished stainless steel

 39.2°F / 42.8°F





Technical



- Ventilated
- R452A / R290 ECO Friendly
- Led no-spot 3000°K
- Automatic
- N. 4 / RH 55% max 75 °F
- 120 V / 1 Ph / 60 Hz
- 39.2/42.8°F

Data Sheet

*Measurements are subject to revisions/updates, please refer to manufacturer's drawings at order confirmation *Crate weight only

Model Code	Dimensions L x D x H Inches	Weight Lbs	Max Pwr. Consumption W / A	Avg Operating Consumption KW/h	Cooling Power/Expansion BTU / °F	GAS Type
F82R413RV090I (+PANELS)	35 7/16 x 32 11/16 x 53 1/8 42 1/2 x 39 3/4 x 64 9/16	254 198	565 / 3.5	0.3	1399 / 14	R290
F82R413RV100I (+PANELS)	39 3/8 x 32 11/16 x 53 1/8 46 7/16 x 39 3/4 x 64 9/16	254 216	565 / 3.5	0.3	1399 / 14	R290
F82R413RV130I (+PANELS)	51 3/16 x 32 11/16 x 53 1/8 58 1/4 x 39 3/4 x 64 9/16	331 276	700 / 4.0	0.35	1877 / 14	R290
F82R413RV150I (+PANELS)	59 1/16 x 32 11/16 x 53 1/8 66 1/8 x 39 3/4 x 64 9/16	331 309	700 / 4.0	0.35	1877 / 14	R290
F82R413RV170I (+PANELS)	66 15/16 x 32 11/16 x 53 1/8 74 x 39 3/4 x 64 9/16	397 342	885 / 4.5	0.45	2252 / 14	R290
F82R413RV200I (+PANELS)	78 3/4 x 32 11/16 x 53 1/8 85 13/16 x 39 3/4 x 64 9/16	419 397	910 / 4.5	0.55	2627 / 14	R290
F82R413RV210I (+PANELS)	82 11/16 x 32 11/16 x 53 1/8 89 3/4 x 39 3/4 x 64 9/16	419 414	910 / 4.5	0.55	2627 / 14	R290
F82R413RV AP90QI (+PANELS)	44 11/16 * 44 11/16 x 32 11/16 x 53 1/8 51 15/16 x 51 15/16 x 64 9/16	441 390	1150 / 5.9	0.7	2900 / 14	R452A
F82TS13RV AP90FI* (+PANELS)	R55 3/8 x 32 11/16 x 53 1/8 62 3/16 x 39 3/4 x 64 9/16	287 265	900 / 4.0	0.5	2559 / 14	R452A

* Only with TS glass structure

Optionals:

- CIV65-68 Stationary shelf option
- CIV96 LED lighting for shelf
- VRG01 Heated front
- SCORTF01-03 L-shaped doors
- CIV72 Chocolate
- SRVASS01 Lift-up
- CIT16 Condensation water pan
- CIM08 Kit wheels
- Ii Tube WHIDE SAN01 Whide system