



GLASSES

- Standard
- Heated glass sides
- Float front glass (with glass baffle)

INTERIORS

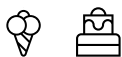
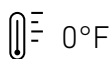
- Polish s/s

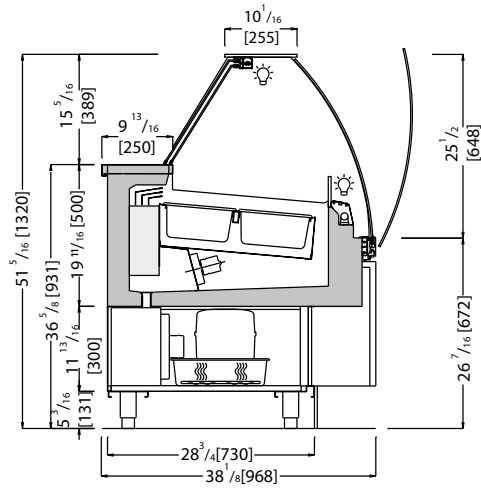
PANELS

- Standard
- HPL black/white/gray
- Optional
- HPL RAL

Gelato Showcase.

Curved, tempered front glass with lift-down opening and hinged on "silver" anodized aluminium profiles | tempered side glasses with warm serigraphy | N°2 fixed glass shelves | plexiglass sliding doors | aluminum LED light fixture | tank insulated with ecological polyurethane and covered in stainless steel | ventilated refrigeration | electronic control unit and digital temperature reader | worktop in polished steel | prearrangement for pans 4lt dim. 10 3/16 x 6 5/16 x 5 7/8 [258 x 160 x 150] not supplied | supporting frame in galvani-zed steel with height adjustable stainless steel feet | technical compartment and open compartment in polished stainless steel





Technical



- Ventilated
- Automatic / reverse cycle
- R452A
- N. 4RH 55% max 75 °F
- Hermetic
- 220 V / 3 Ph / 60 Hz
- Led no-spot 3000°K
- 0°F

Data Sheet *Measurements are subject to revisions/updates, please refer to manufacturer's drawings at order confirmation *Crate weight only

Model Code	Dimensions L x D x H Inches	Weight Lbs	Max Pwr. Consumption W / A	Avg Operating Consumption KW/h	Cooling Power/Expansion BTU / °F	GAS Type
V9C3GL10I (+PANELS) 	39 3/8 x 38 1/8 x 51 15/16 46 7/16 x 45 3/16 x 63 3/8	353 254	1700 / 9.0	0.9	1365 / -31	R452A
V9C3GL16I (+PANELS) 	59 1/16 x 38 1/8 x 51 15/16 66 1/8 x 45 3/16 x 63 3/8	485 353	2200 / 11.5	1.2	1911 / -31	R452A
V9C3GL22I (+PANELS) 	78 3/4 x 38 1/8 x 51 15/16 85 13/16 x 45 3/16 x 63 3/8	617 453	2700 / 14.0	1.5	2491 / -31	R452A
V9C3 GL12+10I (+PANELS) 12+10	78 3/4 x 38 1/8 x 51 15/16 85 13/16 x 45 3/16 x 63 3/8	617 453	2700 / 14.0	1.6	1877+1877 / -31	R452A

Optionals:

- CIV60
s/s pan mm.
258x165x120H
- CIV94
s/s pan mm.
530x160x100H
- CIVF95
s/s display tray
- GSG02
Perspex pan
- CIV56
s/s dipper well
- CIV65-68
Extra glass shelf
- PASPPRA
Switch from
-0.4°F to +39.2°F
- CIT44
Easy clean filter
- CIM08
Kit wheels